

WORKSPACE

COMPLETE PRODUCT PORTFOLIO

Our Mission

**TO SHIP EVERY PRODUCT
IN OUR CATALOGUE TO
YOU WITHIN 48 HOURS.**



Why we are called WORKSPACE48

You've probably heard of Elon Musk's space exploration technology company SpaceX, Jeff Beso's Blue Origin space flight service, Richard Brandson's Virgin Galactic space tourist company. All of these visionaries are changing the way we travel to outer space.

At Workspace48, we believe that workspace is the final frontier. We are millennials out to radically change the office furniture industry.

Our mission **"to ship every product in our catalog to you within 48 hours"**

TO WORKSPACE INFINITY AND BEYOND!

Contents

5	ANVIL DESKING
16	COMSEAL SYSTEM
19	AXIS DESKING
34	SCREENS
36	ACCESSORIES
39	AGILE DESKING
50	STORAGE
54	RECEPTIONS
57	MODULUS TABLES
73	UNI FLIP TABLES
77	AXIS TABLES
81	SEATING
94	3D RENDERING
96	CLIENT PROJECTS
110	VR SHOWROOM





Anvil

Anvil desking systems give your office spaces a refreshing image that will encourage freedom of thought and inspired decision making.





Action Stations

Whether you need individual offices for concentrated work or team based work areas to enhance interaction, Anvil workstations are a superb collection of desk and workstation elements. There is no reason why your office furniture should not be as architecturally appealing as your offices – Anvil is a statement in style.





High Density Desking

Anvil is an intelligent approach to office system design. The modular structure of Anvil guarantees adaptable layouts and solutions that support a multitude of ways of working, while providing concealed routing of services.





Precision Design

Great office environments are shaped by clean furniture design. ANVIL gives you a framework that will support dynamic changes in workplace technologies and evolving work practices.

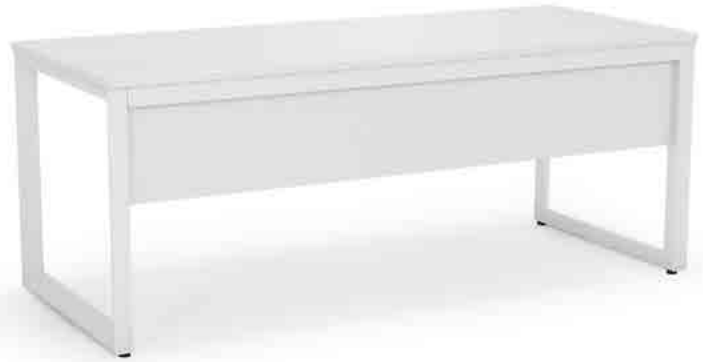
ANVIL STRAIGHTLINE

Standard features

- 2.0" x 2.0" x 2.0" triangle end frames with flush ground weld finish
- 2.0" x 1.0" rails
- Arctic White powdercoat to all steel components
- Worksurfaces are Studio White melamine on E1 grade substrate with matching SPVC edge

Standard worktop sizes

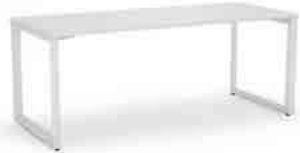
- 47.2" w x 23.6" d x 28.2" h
- 47.2" w x 29.5" d x 28.2" h
- 59.1" w x 23.6" d x 28.2" h
- 59.1" w x 29.5" d x 28.2" h
- 70.9" w x 23.6" d x 28.2" h
- 70.9" w x 29.5" d x 28.2" h



STRAIGHTLINE SINGLES

Standard features

- 2.0" x 2.0" x 2.0" triangle end frames with flush ground weld finish
- 2.0" x 1.0" rails
- Arctic White powdercoat to all steel components
- Worksurfaces are Studio White on E1 grade substrate with matching SPVC edge



Options

- Clampon screens
- Cable management & data rails
- Modesty panels

STRAIGHTLINE TWO SIDED

Standard features

- 2.0" x 2.0" x 2.0" triangle end frames with flush ground weld finish
- 2.0" x 1.0" rails
- Arctic White powdercoat to all steel components
- Worksurfaces are Studio White on E1 grade substrate with matching SPVC edge
- Central deskmounted screens
- Concealed cable management
- Power & data rails



STRAIGHTLINE SINGLE SIDED DOUBLE

Standard features

- 2.0" x 2.0" x 2.0" triangle end frames with flush ground weld finish
- 2.0" x 1.0" rails
- White powdercoat to all steel components
- Worksurfaces are White melamine on E1 grade substrate with matching SPVC edge



Options

- Clampon screens
- Cable management & data rails
- Modesty panels

STRAIGHTLINE TWO SIDED DOUBLE

Standard features

- 2.0" x 2.0" x 2.0" triangle end frames with flush ground weld finish
- 2.0" x 1.0" rails
- Arctic White powdercoat to all steel components
- Worksurfaces are Studio White on E1 grade substrate with matching SPVC edge
- Central deskmounted screens
- Concealed cable management
- Power & data rails



STRAIGHTLINE SINGLE SIDED TRIPLE

Standard features

- 2.0" x 2.0" x 2.0" triangle end frames with flush ground weld finish
- 2.0" x 1.0" rails
- White powdercoat to all steel components
- Worksurfaces are White melamine on E1 grade substrate with matching SPVC edge



Options

- Clampon screens
- Cable management & data rails
- Modesty panels

STRAIGHTLINE TWO SIDED TRIPLE

Standard features

- 2.0" x 2.0" x 2.0" triangle end frames with flush ground weld finish
- 2.0" x 1.0" rails
- Arctic White powdercoat to all steel components
- Worksurfaces are Studio White on E1 grade substrate with matching SPVC edge
- Central deskmounted screens
- Concealed cable management
- Power & data rails



ANVIL 120°

Standard features

- 2.0" x 2.0" x 2.0" triangle end frames with flush ground weld finish
- 2.0" x 1.0" rails
- Worksurfaces are Studio White melamine on E1 grade substrate with matching SPVC edge
- Arctic White powdercoat to all steel components

Standard worktop sizes

47.2" x 47.2" w x 23.6" d x 28.2" h



120° SINGLES

Standard features

- 2.0" x 2.0" x 2.0" triangle end frames with flush ground weld finish
- 2.0" x 1.0" rails
- Arctic White powdercoat to all steel components
- Worksurfaces are Studio White on E1 grade substrate with matching SPVC edge

Options

- Clampon screens
- Cable management & data rails
- Modesty panels



120° THREE CLUSTER

Standard features

- 2.0" x 2.0" x 2.0" triangle end frames with flush ground weld finish
- 2.0" x 1.0" rails
- Arctic White powdercoat to all steel components
- Worksurfaces are Studio White on E1 grade substrate with matching SPVC edge
- Central deskmounted screens
- Concealed cable management
- Power & data rails



120° 2/3

Standard features

- 2.0" x 2.0" x 2.0" triangle end frames with flush ground weld finish
- 2.0" x 1.0" rails
- Arctic White powdercoat to all steel components
- Worksurfaces are Studio White on E1 grade substrate with matching SPVC edge
- Central deskmounted screens
- Concealed cable management
- Power & data rails



120° SIX CLUSTER

Standard features

- 2.0" x 2.0" x 2.0" triangle end frames with flush ground weld finish
- 2.0" x 1.0" rails
- Arctic White powdercoat to all steel components
- Worksurfaces are Studio White on E1 grade substrate with matching SPVC edge
- Central deskmounted screens
- Concealed cable management
- Power & data rails



ANVIL 120° SUGGESTED LAYOUT



ANVIL 90°

Standard features

- 2.0" x 2.0" x 2.0" triangle end frames with flush ground weld finish
- 2.0" x 1.0" rails
- Worksurfaces are Studio White melamine on E1 grade substrate with matching SPVC edge
- Arctic White powdercoat to all steel components

Options

- Clampon screens
- Cable management & data rails
- Modesty panels

Standard worktop sizes

- 70.9" x 70.9"w x 29.5"d x 28.2"h
- 70.9" x 70.9"w x 23.6"d x 28.2"h



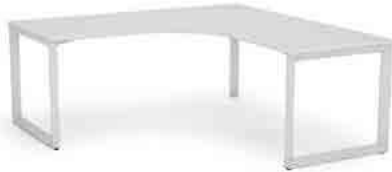
90° SINGLE

Standard features

- 2.0" x 2.0" x 2.0" triangle end frames with flush ground weld finish
- 2.0" x 1.0" rails
- Worksurfaces are Studio White melamine on E1 grade substrate with matching SPVC edge
- Arctic White powdercoat to all steel components

Options

- Clampon screens
- Cable management & data rails
- Modesty panels



90° TEE CLUSTER TWO

Standard features

- 2.0" x 2.0" x 2.0" triangle end frames with flush ground weld finish
- 2.0" x 1.0" rails
- Worksurfaces are Studio White melamine on E1 grade substrate with matching SPVC edge
- Arctic White powdercoat to all steel components
- Central deskmounted screens
- Concealed cable management
- Power & data rails



90° H CLUSTER FOUR

Standard features

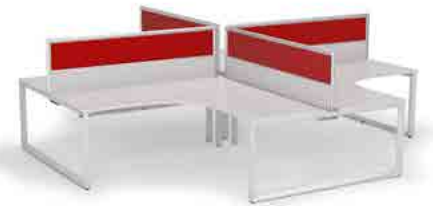
- 2.0" x 2.0" x 2.0" triangle end frames with flush ground weld finish
- 2.0" x 1.0" rails
- Worksurfaces are Studio White melamine on E1 grade substrate with matching SPVC edge
- Arctic White powdercoat to all steel components
- Central deskmounted screens
- Concealed cable management
- Power & data rails



90° PLUS CLUSTER FOUR

Standard features

- 2.0" x 2.0" x 2.0" triangle end frames with flush ground weld finish
- 2.0" x 1.0" rails
- Worksurfaces are Studio White melamine on E1 grade substrate with matching SPVC edge
- Arctic White powdercoat to all steel components
- Central deskmounted screens
- Concealed cable management
- Power & data rails



ANVIL 90° SUGGESTED LAYOUTS



90° PLUS CLUSTER SIX

Standard features

- 2.0" x 2.0" x 2.0" triangle end frames with flush ground weld finish
- 2.0" x 1.0" rails
- Worksurfaces are Studio White melamine on E1 grade substrate with matching SPVC edge
- Arctic White powdercoat to all steel components
- Central deskmounted screens
- Concealed cable management
- Power & data rails



90° PLUS CLUSTER EIGHT

Standard features

- 2.0" x 2.0" x 2.0" triangle end frames with flush ground weld finish
- 2.0" x 1.0" rails
- Worksurfaces are Studio White melamine on E1 grade substrate with matching SPVC edge
- Arctic White powdercoat to all steel components
- Central deskmounted screens
- Concealed cable management
- Power & data rails



90° H CLUSTER EIGHT

Standard features

- 2.0" x 2.0" x 2.0" triangle end frames with flush ground weld finish
- 2.0" x 1.0"mm rails
- Worksurfaces are Studio White melamine on E1 grade substrate with matching SPVC edge
- Arctic White powdercoat to all steel components
- Central deskmounted screens
- Concealed cable management
- Power & data rails.



Comseal Cable Tidy System



Comseal shown with ANVIL 120° setting.

Works with clamp on shelves and monitor arms.

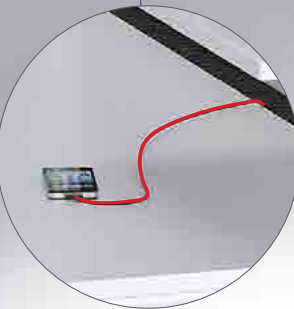
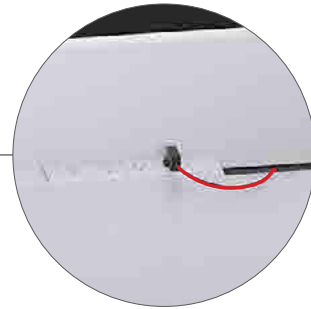


Shown with ANVIL 90° cluster.



Comseal shown with ANVIL straightline desk & offset screen.

Optional hardwire or software power system.



Hide your cables all the way to where you need them.



Axis

AXIS office environments create a sense of community & space and support dynamic changes in workplace technologies while evolving work practices.







Axis Straightline

Axis long shared desk combinations are well complimented by matching storage & meeting tables. Freeway chairs with coloured fabric seat covers & fabric seat toppas on the mobiles, help you make the space really yours.

*"Always bear in mind that your own
resolution to succeed is more
important than any other."*

Abraham Lincoln





90°

Axis System gives refreshing options for traditional 90° office layouts. Design your space using a combination of frame-mounted screens between worktops & 3/4 height screens to the traffic areas while retaining the Axis worktop accessible power and data functions.





120°

Axis 120° layouts are ideal for team environments. Screens can be pinnable e-panel or translucent twinwall, or a combination of both. The Axis 120° frames interlock with the straightline & 90° Modulus giving unlimited layout options.





Collaboration

Axis Tables fit into any meeting area needing practical strong workspaces to facilitate robust discussion & decision making. Freeway seating options compliment the tables to provide varied meeting spaces with flair & panache.

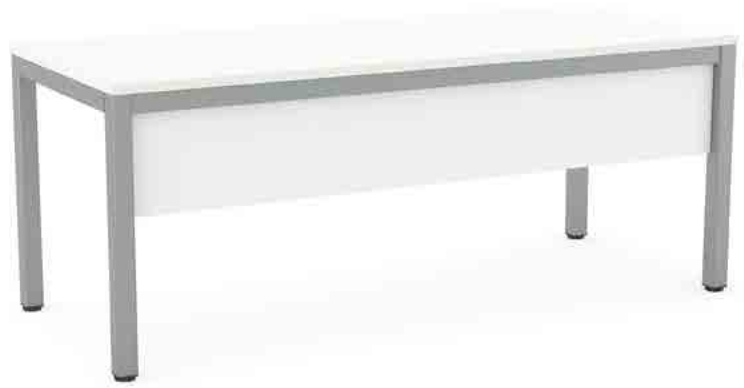
AXIS STRAIGHTLINE

Standard features

- 2.0" x 2.0" end frames with flush ground weld finish
- 2.0" x 1.0" rails
- 3.1" height adjustment in each foot
- Arctic White or Silver powdercoat finish to all steel components
- Worksurfaces are Studio White melamine on E1 grade substrate with matching SPVC edges

Standard worktop sizes

- 4 7.2"w x 23.6"d x 28.1"h
- 47.2"w x 29.5"d x 28.1"h
- 59.1"w x 23.6"d x 28.1"h
- 59.1"w x 29.5"d x 28.1"h
- 70.9"w x 23.6"d x 28.1"h
- 70.9"w x 29.5"d x 28.1"h



STRAIGHTLINE SINGLES

Standard features

- 2.0" x 2.0" end frames with flush ground weld finish
- 2.0" x 1.0" rails
- 3.1" height adjustment in each foot
- Arctic White or Silver powdercoat finish to all steel components
- Worksurfaces are Studio White on E1 grade substrate with matching SPVC edge



Options

- Clampon screens
- Cable management & data rails
- Modesty panels

STRAIGHTLINE TWO SIDED

Standard features

- 2.0" x 2.0" end frames with flush ground weld finish
- 2.0" x 1.0" rails
- 3.1" height adjustment in each foot
- Arctic White or Silver powdercoat finish to all steel components
- Worksurfaces are Studio White melamine on E1 grade substrate with matching SPVC edges
- Central deskmounted screens
- Concealed cable management
- Power & data rails



STRAIGHTLINE SINGLE SIDED DOUBLE

Standard features

- 2.0" x 2.0" end frames with flush ground weld finish
- 2.0" x 1.0" rails
- 3.1" height adjustment in each foot
- Arctic White or Silver powdercoat finish to all steel components
- Worksurfaces are Studio White on E1 grade substrate with matching SPVC edge



Options

- Clampon screens
- Cable management & data rails
- Modesty panels

STRAIGHTLINE TWO SIDED DOUBLE

Standard features

- 2.0" x 2.0" end frames with flush ground weld finish
- 2.0" x 1.0" rails
- 3.1" height adjustment in each foot
- Arctic White or Silver powdercoat finish to all steel components
- Worksurfaces are Studio White melamine on E1 grade substrate with matching SPVC edges
- Central deskmounted screens
- Concealed cable management
- Power & data rails



STRAIGHTLINE SINGLE SIDED TRIPLE

Standard features

- 2.0" x 2.0" end frames with flush ground weld finish
- 2.0" x 1.0" rails
- 3.1" height adjustment in each foot
- Arctic White or Silver powdercoat finish to all steel components
- Worksurfaces are Studio White on E1 grade substrate with matching SPVC edge



Options

- Clampon screens
- Cable management & data rails
- Modesty panels

STRAIGHTLINE TWO SIDED TRIPLE

Standard features

- 2.0" x 2.0" end frames with flush ground weld finish
- 2.0" x 1.0" rails
- 3.1" height adjustment in each foot
- Arctic White or Silver powdercoat finish to all steel components
- Worksurfaces are Studio White melamine on E1 grade substrate with matching SPVC edges
- Central deskmounted screens
- Concealed cable management
- Power & data rails



AXIS 120°

Standard features

- 2.0" x 2.0" end frames with flush ground weld finish
- 2.0" x 1.0" rails
- 3.1" height adjustment in each foot
- Arctic White or Silver powdercoat finish to all steel components
- Worksurfaces are Studio White melamine on E1 grade substrate with matching SPVC edges

Standard worktop sizes

47.2" x 47.2" w x 23.6" d x 28.2" h



120° SINGLES

Standard features

- 2.0" x 2.0" end frames with flush ground weld finish
- 2.0" x 1.0" rails
- 3.1" height adjustment in each foot
- Arctic White or Silver powdercoat finish to all steel components
- Worksurfaces are Studio White melamine on E1 grade substrate with matching SPVC edges



Options

- Clampon screens
- Cable management & data rails
- Modesty panels

120° THREE CLUSTER

Standard features

- 2.0" x 2.0" end frames with flush ground weld finish
- 2.0" x 1.0" rails
- 3.1" height adjustment in each foot
- Arctic White or Silver powdercoat finish to all steel components
- Worksurfaces are Studio White melamine on E1 grade substrate with matching SPVC edges
- Central deskmounted screens
- Concealed cable management
- Power & data rails



120° 2/3

Standard features

- 2.0" x 2.0" end frames with flush ground weld finish
- 2.0" x 1.0" rails
- 3.1" height adjustment in each foot
- Arctic White or Silver powdercoat finish to all steel components
- Worksurfaces are Studio White melamine on E1 grade substrate with matching SPVC edges
- Central deskmounted screens
- Concealed cable management
- Power & data rails



120° SIX CLUSTER

Standard features

- 2.0" x 2.0" end frames with flush ground weld finish
- 2.0" x 1.0" rails
- 3.1" height adjustment in each foot
- Arctic White or Silver powdercoat finish to all steel components
- Worksurfaces are Studio White melamine on E1 grade substrate with matching SPVC edges
- Central deskmounted screens
- Concealed cable management
- Power & data rails



AXIS 120° SUGGESTED LAYOUT



AXIS 90°

Standard features

- 2.0" x 2.0" end frames with flush ground weld finish
- 2.0" x 1.0" rails
- 3.1" height adjustment in each foot
- Arctic White or Silver powdercoat finish to all steel components
- Worksurfaces are Studio White melamine on E1 grade substrate with matching SPVC edges

Standard worktop sizes

- 70.9" x 70.9"w x 29.5"d x 28.2"h
- 70.9" x 70.9"w x 23.6"d x 28.2"h



90° SINGLE

Standard features

- 2.0" x 2.0" end frames with flush ground weld finish
- 2.0" x 1.0" rails
- 3.1" height adjustment in each foot
- Arctic White or Silver powdercoat finish to all steel components
- Worksurfaces are Studio White on E1 grade substrate with matching SPVC edge



Options

- Clampon screens
- Cable management & data rails
- Modesty panels

90° TEE CLUSTER TWO

Standard features

- 2.0" x 2.0" end frames with flush ground weld finish
- 2.0" x 1.0" rails
- 3.1" height adjustment in each foot
- Arctic White or Silver powdercoat finish to all steel components
- Worksurfaces are Studio White melamine on E1 grade substrate with matching SPVC edges
- Central deskmounted screens
- Concealed cable management
- Power & data rails



90° H CLUSTER FOUR

Standard features

- 2.0" x 2.0" end frames with flush ground weld finish
- 2.0" x 1.0" rails
- 3.1" height adjustment in each foot
- Arctic White or Silver powdercoat finish to all steel components
- Worksurfaces are Studio White melamine on E1 grade substrate with matching SPVC edges
- Central deskmounted screens
- Concealed cable management
- Power & data rails



90° PLUS CLUSTER FOUR

Standard features

- 2.0" x 2.0" end frames with flush ground weld finish
- 2.0" x 1.0" rails
- 3.1" height adjustment in each foot
- Arctic White or Silver powdercoat finish to all steel components
- Worksurfaces are Studio White melamine on E1 grade substrate with matching SPVC edges
- Central deskmounted screens
- Concealed cable management
- Power & data rails



90° SUGGESTED LAYOUTS



90° PLUS CLUSTER SIX

Standard features

- 2.0" x 2.0" end frames with flush ground weld finish
- 2.0" x 1.0" rails
- 3.1" height adjustment in each foot
- Arctic White or Silver powdercoat finish to all steel components
- Worksurfaces are Studio White melamine on E1 grade substrate with matching SPVC edges
- Central deskmounted screens
- Concealed cable management
- Power & data rails



90° PLUS CLUSTER EIGHT

Standard features

- 2.0" x 2.0" end frames with flush ground weld finish
- 2.0" x 1.0" rails
- 3.1" height adjustment in each foot
- Arctic White or Silver powdercoat finish to all steel components
- Worksurfaces are Studio White melamine on E1 grade substrate with matching SPVC edges
- Central deskmounted screens
- Concealed cable management
- Power & data rails



90° H CLUSTER EIGHT

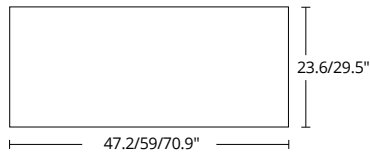
Standard features

- 2.0" x 2.0" end frames with flush ground weld finish
- 2.0" x 1.0" rails
- 3.1" height adjustment in each foot
- Arctic White or Silver powdercoat finish to all steel components
- Worksurfaces are Studio White melamine on E1 grade substrate with matching SPVC edges
- Central deskmounted screens
- Concealed cable management
- Power & data rails

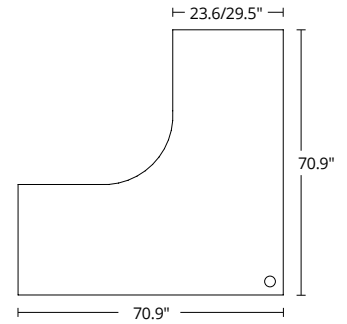


ANVIL Size Guide

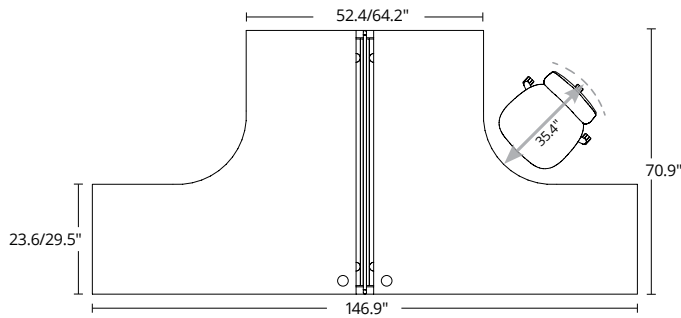
SINGLE DESKS



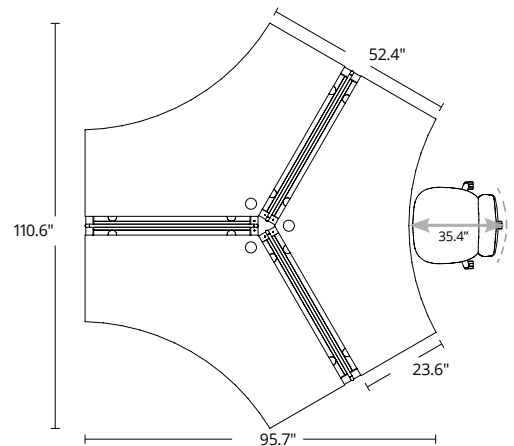
SINGLE WORKSTATIONS



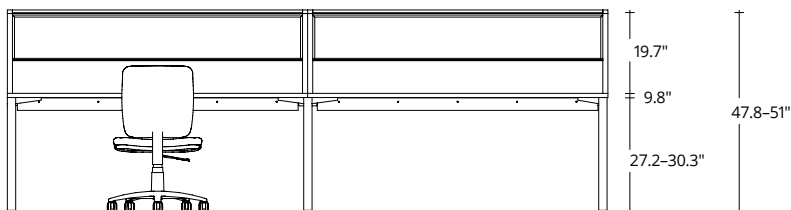
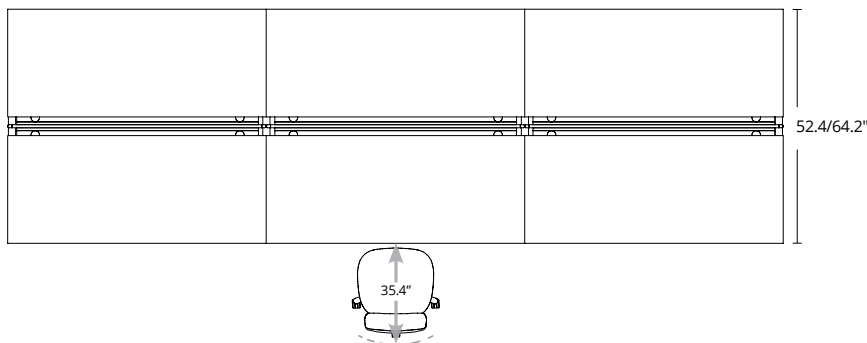
90 DEGREE WORKSTATIONS



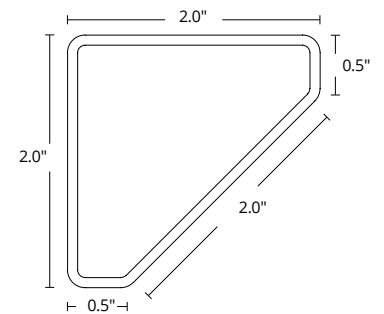
120 DEGREE WORKSTATIONS



SHARED DESKS

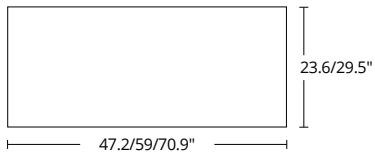


ANVIL LEG

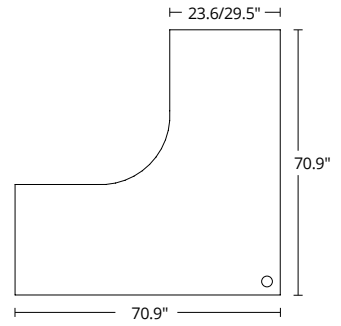


AXIS Size Guide

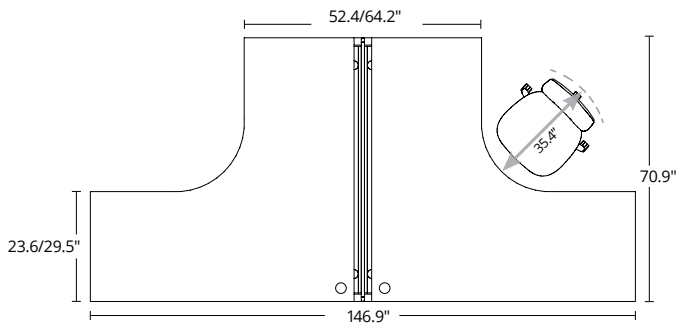
SINGLE DESKS



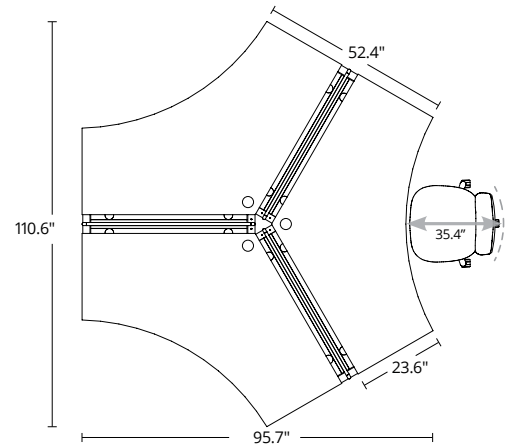
SINGLE WORKSTATIONS



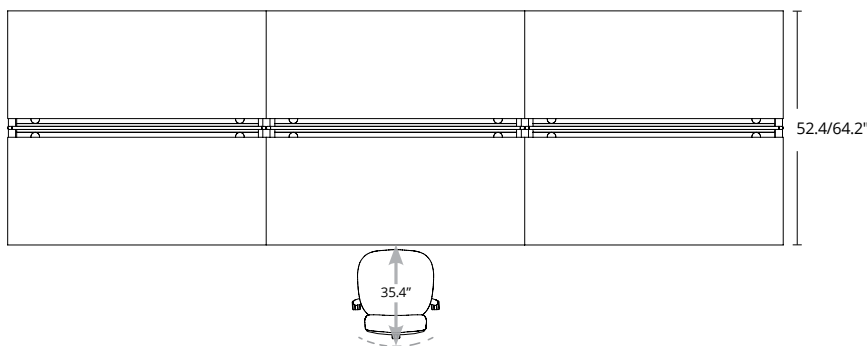
90 DEGREE WORKSTATIONS



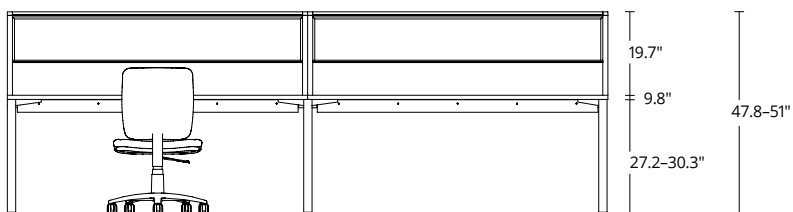
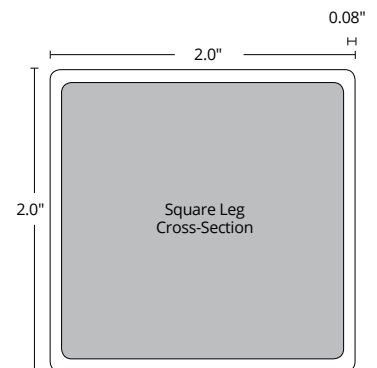
120 DEGREE WORKSTATIONS



SHARED DESKS



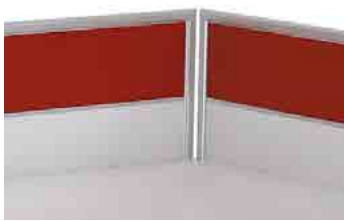
AXIS LEG



Screens



STANDARD FINISH OPTIONS



Ignite e-panel (Red)



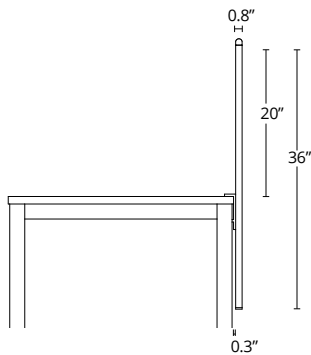
Black e-panel



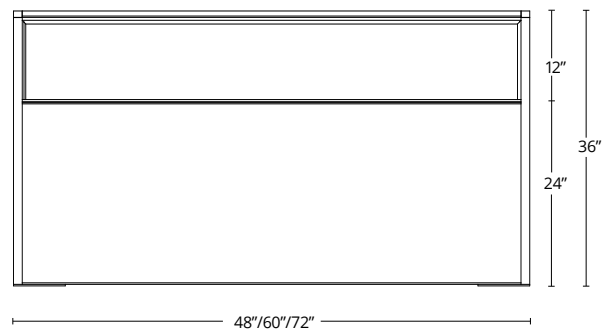
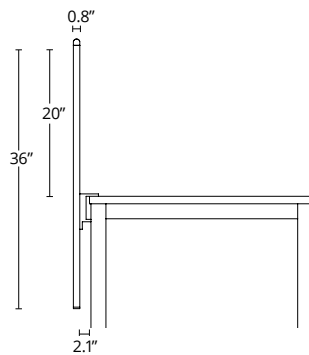
Translucent Twinwall PVC

SCREEN SIZE GUIDE

Standard Bracket



Offset Bracket





Axis Desking with Black, Ignite and Translucent Screens, Axis Shelves and Storage

ALTERNATIVE E-PANEL COLOUR OPTIONS*



A18 - Yellow



BB21 - Bright Blue



CH17 - Charcoal



SG03 - Silver Grey

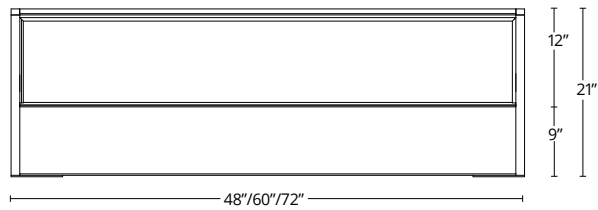
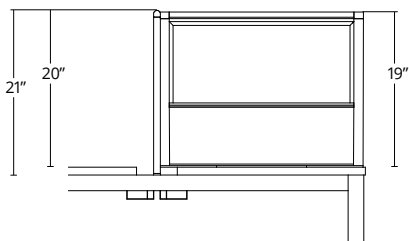


GG05 - Grass Green



SO31 - Sweet Orange

*Additional cost and lead times apply to non-stock panel colour options



Accessories



*Axis Straightline with
Black Screens, Screen
Hung Shelves and
Monitor Arms*

DESKMOUNT SHELF

- Studio White melamine
- 4 x Chrome bookend hoops
- Arctic White powdercoat to brackets

Standard size

24" w x 12" d



SCREEN MOUNT SHELF

- Studio White melamine
- 4 x Chrome bookend hoops
- Hangs off transom rail on screen

Standard size

24" w x 12" d





PEN HOLDER / A4 PAPER TRAY

- Arctic White powdercoat
- Hangs off transom rail on screen



MONITOR ARMS

- Black powdercoat
- Available in dual or single
- Fully adjustable to suit individual needs
- Drill through or clamp on option



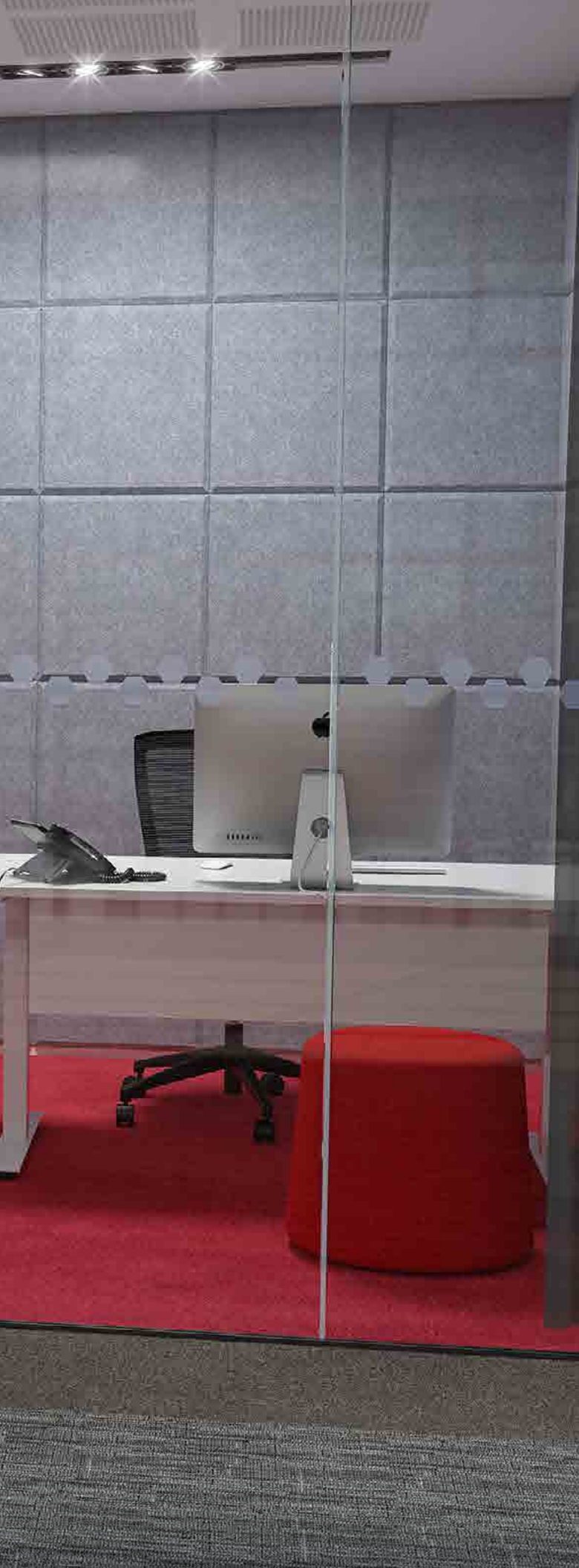




Agile

Agile is a top electric height adjustable solution that is designed to work in the same places you do. Businesses are increasingly using sit-stand systems in collaborative offices, management spaces, in meeting areas or at home, and Agile's understated simplicity is ready to move right in.





Private Spaces

Flexibility, collaboration, and a technology-based workflow require active, streamlined workspaces designed for the digital age. Agile fits the bill, perfect for both the CEO's office and for designated quiet zones inside a larger open office plan.





Large Office Spaces

Drab and isolated office cubicles are rapidly (and thankfully) becoming a relic of the past, making way for large, open office systems that foster collaboration, shared learning, and a strong social culture. Fixed height and height adjustable desks offers a contemporary, minimalist look whilst accommodating the need for flexibility and movement during the workday.

Agile Single Sided



STANDARD FEATURES

- White or black powdercoat frame
- Winder or electric height adjustable
- Overload operation protection
- Electronic screen displaying exact height with 4 pre-set height settings
- Double rail support for extra stability and strength
- Wide base foot and leveller for adjustment
- Load capacity: 225 lbs
- Winder speed adjustment: ¼"/turn
- Electric speed adjustment: 1"/s
- Gross weight: 80 lbs
- 10 year frame guarantee
- 5 year motor guarantee

Standard frame sizes accommodate worksurface sizes

- 48"w x 24"d
- 48"w x 30"d
- 60"w x 24"d
- 60"w x 30"d
- 72"w x 24"d
- 72"w x 30"d
- 90° - 72"w x 72"w x 24"d*
- 90° - 72"w x 72"w x 30"d*
- 120° - 48"w x 48"w x 24"d*
- 120° - 48"w x 48"w x 30"d*

* 90° and 120° workstations only available in electric adjust

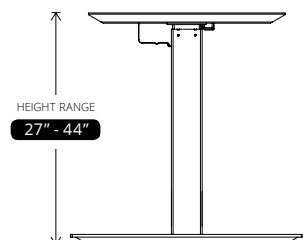
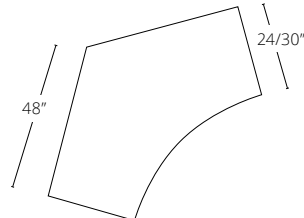
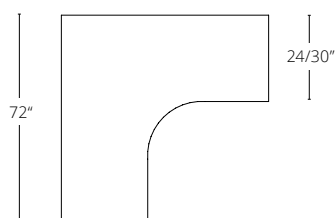
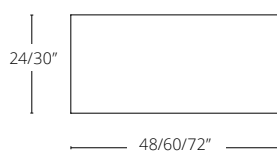


Single-sided Desk

10 YEAR
GUARANTEE**

**5 Year Guarantee on electric motor

SIZE GUIDE



Agile Back-to-back



STANDARD FEATURES

- White or black powdercoat frames
- Winder or electric height adjustable
- Overload operation protection
- Electronic screen displaying exact height with 4 preset height settings
- Double rail support for extra stability and strength
- Wide base foot and leveller for adjustment
- Winder speed adjustment: ¼"/turn
- Electric speed adjustment: 1"/s
- Load capacity: 225 lbs
- Height adjustment speed: 1"/second
- Gross weight: 80 lbs
- 10 year frame guarantee
- 5 year motor guarantee

Standard frame sizes accommodate worksurface sizes

- 48" w x 24" d
- 48" w x 30" d
- 60" w x 24" d
- 60" w x 30" d
- 72" w x 24" d
- 72" w x 30" d

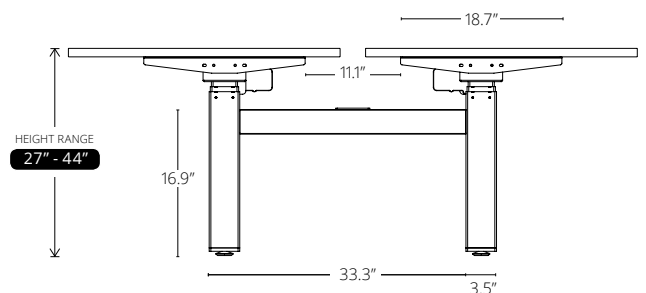
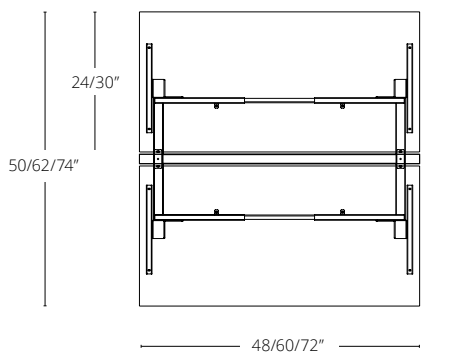


Double-sided Desk

10 YEAR GUARANTEE**

**5 Year Guarantee on electric motor

SIZE GUIDE



Agile Divider Screens



STANDARD FEATURES

- Spine screens clamp onto the desk worktop
- Divider panels slide onto the desk worktop
- e-Panel made up from recycled materials and is 100% recyclable
- e-Panel is pinnable
- Available with black or white base

STANDARD SIZES

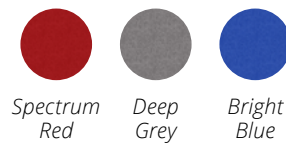
Spine Screens

- 47" x 24"
- 59" x 24"

Return Screens

- 25" x 12"
- 29" x 12"

STANDARD COLOURS



Spectrum Red *Deep Grey* *Bright Blue*

CUSTOM COLOURS*



Yellow *Sweet Orange* *Silver Grey* *Grass Green* *Charcoal*

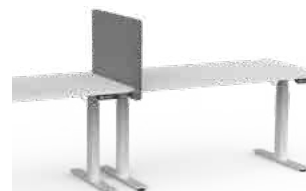
*Additional cost and lead times apply to custom panel colour options.



Spine Screen for single sided desk



Spine Screen for double sided desk



Slide on return screens

Agile Electrical



CABLE MANAGEMENT



Cable Cobra

Also available in black.



Cable clutch



Single sided under-mount cable tray

For optional daisy chain hardwire power system.

Also available in black.



Double sided under-mount cable tray

For optional daisy chain hardwire power system.

Also available in black.

POWER MODULES



Above desk seclusions

Also available as below desk.





Storage & Receptions

Modular Storage & Reception solutions are created with the flexibility of open plan workspaces in mind.

Personal Storage

MOBILE PEDESTAL

- Studio White
- 0.75", flush-joined construction
- 5 heavy duty castors in black
- Gang-lock to all drawers
- Available as standard and slimline

Standard size



25.2"h x 16"w x 18.6"d



Slimline size

20.5"h x 12"w x 18.6"d



CADDY STORAGE

- Studio White
- 0.75", flush-joined construction
- 5 heavy duty castors in white/ chrome finish
- 25"h x 35"w x 18"d
- Gang-lock to all drawers
- Height adjustable shelves
- Drawer units & tambours all interchangeable & lockable



Double Bookcase



Double Drawers



Double Tambours



Bookcase + Drawer LH/RH



Drawer + Tambour LH/RH



Tambour + Bookcase LH/RH



SEAT TOPPAS

- Fits on Caddy mobile or mobile pedestal
- 11" h x 18.0" w x 18.3" w
- Upholstered in selected Breathe fabrics



Black Green Red



TOWER STORAGE

- Studio White
- 1.0" tops and base, 0.75" sides and shelves
- Arctic White steel feet
- 49" h x 20" w x 18" d
- Drawer units
- Height adjustable shelves
- Flush joined construction



Bookcase



Bookcase + Drawers



Bookcase + Tambour

Shared Storage



Showing Axis Shared Desks
and Tambour Storage

BOOKSHELVES

- Arctic White powdercoated feet
- 1.0" tops and base, 0.75" sides and shelves
- Flush-joined construction

Standard size

49" High - 3 Levels
49"h x 36"w x 12"d



CUPBOARDS

- Locking doors
- Arctic White powdercoated feet with leveling glides
- 1.0" tops and base, 0.75" sides and shelves
- Flush-joined construction

Standard size

49" High - 3 Levels
49"h x 36"w x 16"d





TAMBOURS

- Locking, space-saving white roller doors
- Arctic White powdercoated feet
- 1.0" tops and base, 0.75" sides and shelves
- Flush-joined construction
- Adjustable shelves
- Matching planter boxes



Standard size

41"h x 36"w x 18"d

Planter box size

Overall: 49"h x 36"w x 18"d

Planter: 8"h x 36"w x 18"d

CREDENZAS

- Locking doors
- Arctic White powdercoated feet with leveling glides
- 1.0" tops and base, 0.75" sides and shelves
- Flush-joined construction

Standard size

72" Long - 2 Levels

36"h x 72"w x 16"d



LATERAL FILE 2 DRAWER

- Locking drawers
- 1.0" tops and base, 0.75" sides and shelves
- Flush-joined construction
- Gang-locks all drawers

Standard size

29"h x 36"w x 24"d



Anvil Receptions

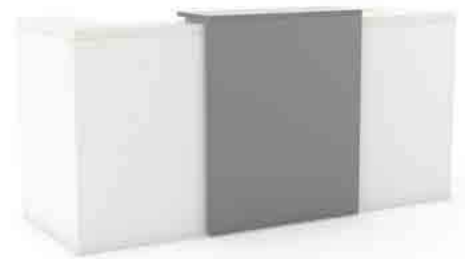


STANDARD FEATURES

- Studio White melamine.
- 3/4", flush-joined construction.
- White or silver, centre feature panel.
- Concealed telescopic chassis adjusts to suit worktop size (adjustable in 2" increments)
- White worksurfaces are in stock. Other finish options are available.

STANDARD SIZES

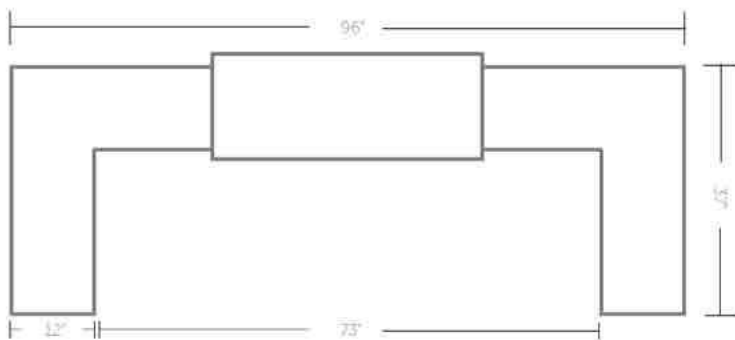
- Minimum closed, internal: 71" x 34"
- Maximum open, internal: 95" x 34"
- Minimum closed, external: 73" x 37"
- Maximum open, external: 96" x 37"
- Height 42"



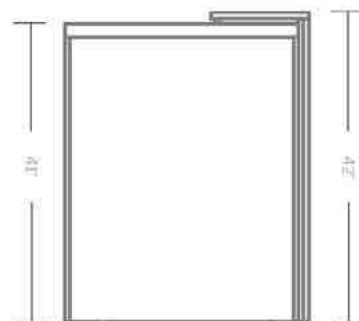
Anvil reception with silver panel

RECEPTION SIZE GUIDE

Straight Reception with Desk



Reception Heights



Axis Receptions



STANDARD FEATURES

- Studio White melamine
- Chrome beading detail on front
- 0.75", flush-joined construction
- Straight or 90° options

STANDARD SIZES

- 90° Corner: 42"h x 72.5"w x 72.5"w x 12"d
- Straight: 42"h x 72.5"w x 12"d



Straight Reception with Top



Straight Reception without Top



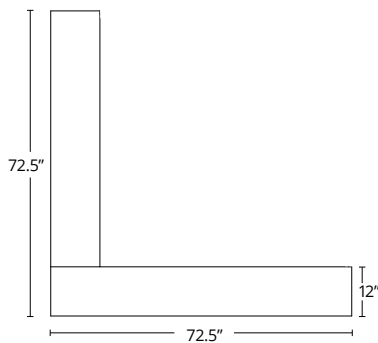
Corner Reception with Top



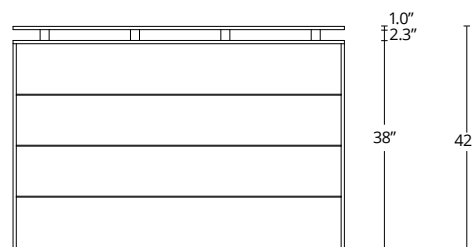
Corner Reception without Top

RECEPTION SIZE GUIDE

Corner Reception with 90 Degree



Reception Heights





A modern conference room with a white table, black chairs, and a wooden slat ceiling. The room is brightly lit, and the ceiling features a series of parallel wooden slats. A small screen is visible on the left wall.

Modulus

The Modulus system has a timeless simplicity with one universal leg style that supports many table designs. The distinctive A-shaped rail and socket system securely locks the table together & gives immense strength.



*Showing: Modulus Twin pole, double span
frame with 144" x 48" worktop.*



Simple Beauty

The Modulus system has a timeless simplicity with one universal leg style that supports many table designs. The distinctive A-shaped rail and socket system securely locks the table together & gives immense strength.





Collaboration

Modulus is a versatile table system that helps people collaborate, communicate and exchange ideas. They can be static tables of any size or they can be self-contained modules that move and adapt easily to fit the space or task at hand.





Sophistication

Modulus tables work in all kinds of facilities. Highly finished, cast aluminum components and sophisticated, engineering grade mechanisms give an unparalleled aesthetic and functionality.



WE
ALL A PART
OF
SAME TH



Working Together

Tables are most powerful when used together. Modulus Flip tables can be used in any combination, which creates endless opportunities for constructive interaction in classrooms, training rooms & meeting rooms. All Flip tables come with durable locking castors to ensure they are easy to re-configure into new layouts.





Conference & Training

Table tops flip up, chair seats flip up and both roll away on castors to nest together when no longer needed. This instantly transforms your training room into a highly flexible environment that is capable of a variety of teaching formats.

Modulus Tables

MODULUS TWIN POLE TRIPLE SPAN

Standard features

- Black powdercoated posts & rails, polished alloy feet, collars & connectors
- Leveling glides
- White worksurfaces are in stock. Other finish options are available.

Standard frame sizes fit worktops of

156" - 312" length x
48" - 78" width



MODULUS TWIN POLE DOUBLE SPAN

Standard features

- Black powdercoated posts & rails, polished alloy feet, collars & connectors
- Leveling glides
- White worksurfaces are in stock. Other finish options are available.

Standard frame sizes fit worktops of

120" - 204" length x
48" - 78" width



MODULUS TWIN POLE SINGLE SPAN

Standard features

- Black powdercoated posts & rails, polished alloy feet, collars & connectors
- Leveling glides
- White worksurfaces are in stock. Other finish options are available.

Standard frame sizes fit worktops of

72" - 120" length x
48" - 78" width



MODULUS SINGLE POLE SINGLE SPAN

Standard features

- Black powdercoated posts & rails, polished alloy feet, collars & connectors
- Leveling glides
- White worksurfaces are in stock. Other finish options are available.

Standard frame sizes fit worktops of

48" - 84" length x
32" - 36" width



MODULUS LARGE FIXED LEG SINGLE SPAN

Standard features

- Black powdercoated posts & rails, polished alloy feet & worktop supports
- Leveling glides
- White worksurfaces are in stock. Other finish options are available.

Standard frame sizes fit worktops of

48" - 84" length x
32" - 42" width



MODULUS SMALL FIXED LEG SINGLE SPAN

Standard features

- Black powdercoated posts & rails, polished alloy feet & worktop supports
- Leveling glides
- White worksurfaces are in stock. Other finish options are available.

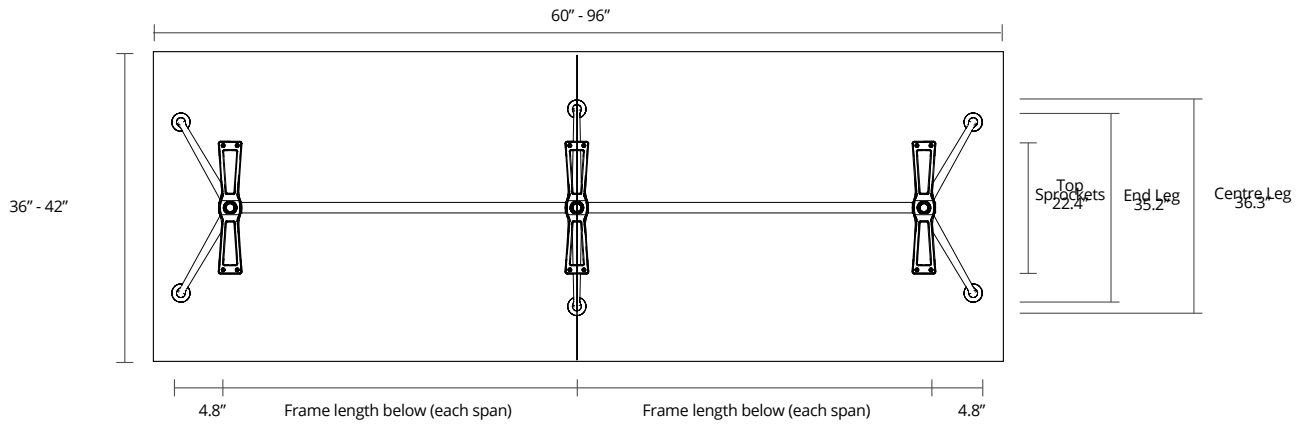
Standard frame sizes fit worktops of

48" - 84" length x
24" - 36" width



MODULUS CONFERENCE SIZE GUIDE

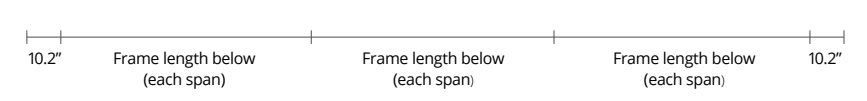
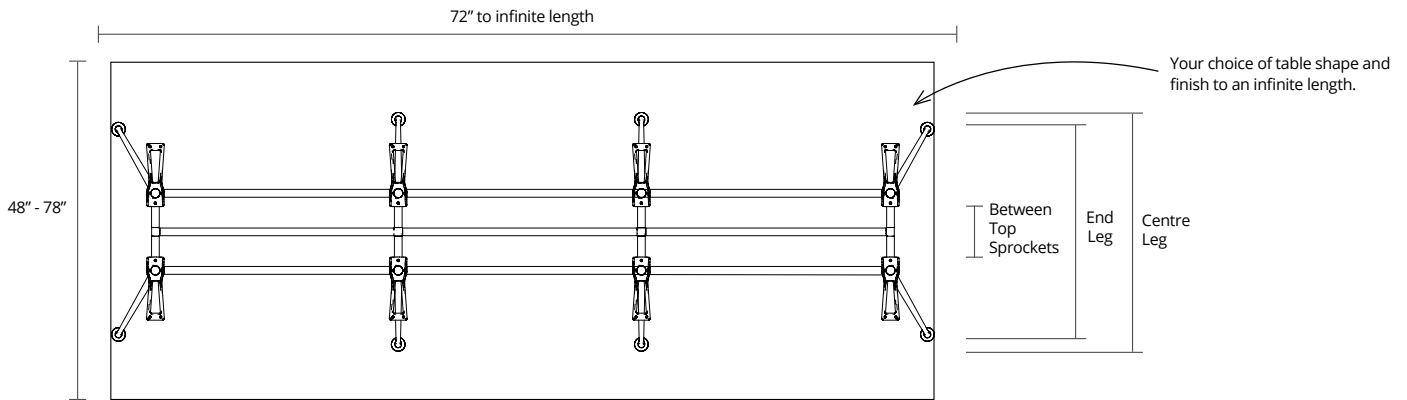
Single Post Legs with Collar



Frame length (each span)
ONE BEAM PER SPAN

CA-FWTOPRAIL1100 = 45.3"
 CA-FWTOPRAIL1300 = 53.2"
 CA-FWTOPRAIL1600 = 65"
 CA-FWTOPRAIL2200 = 88.6"

Twin Post Legs with Collar



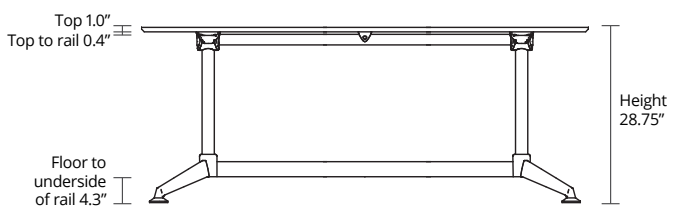
Leg Width Kit	End Leg	Centre Leg	Between Top Sprockets
CA-FW1200	44.9"	49.6"	7.1"
CA-FW1400	49.4"	54.1"	11.6"
CA-FW1600	57.3"	62"	19.5"
CA-FW1800	65.9"	69.9"	27.4"

Upper frame length (each span)
TWO BEAMS PER SPAN

CA-FWTOPRAIL1100 = 45.3"
 CA-FWTOPRAIL1300 = 53.2"
 CA-FWTOPRAIL1600 = 65"
 CA-FWTOPRAIL2200 = 88.6"

Lower frame length (each span)
ONE BEAM PER SPAN

CA-FWBOTRAIL1100
 CA-FWBOTRAIL1300
 CA-FWBOTRAIL1600
 CA-FWBOTRAIL2200



Modulus Flip Tables

Standard features

- White or black powdercoat posts, rail & pullbars, polished cast alloy feet, silver castors
- ANSI-BIFMA approved for commercial use
- White worksurfaces are in stock. Other finish options are available.



Standard frame sizes fit worktops of

- 36" - 84" length
- 24" - 42" width

Modulus Black Poles and Rails

- 2x locking, 2x non locking castors
- White posts, rails, pullbars, polished alloy feet
- One handed mechanism use
- Industrial grade nylon mechanism includes vertical locking mechanism



Modulus White Poles and Rails

- 2x locking, 2x non locking castors
- White posts, rails, pullbars, polished alloy feet
- One handed mechanism use
- Industrial grade nylon mechanism includes vertical locking mechanism



Modulus Flip Table Modesty

Made to suit Modulus flip tables and available in a silver or white finish.



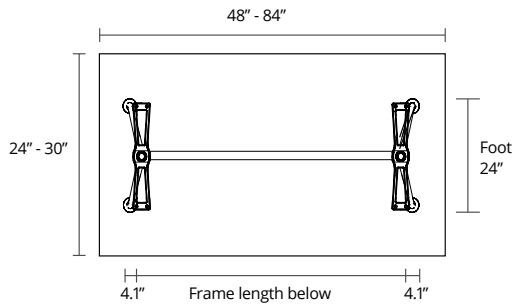
Modulus Flip Table Links

Connecting tables together is made easy with the very secure and simple-to-operate mechanism



MODULUS FLIP SIZE GUIDE

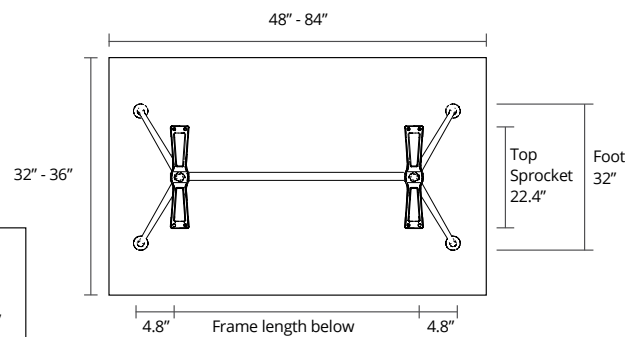
24" Wide Fixed Leg



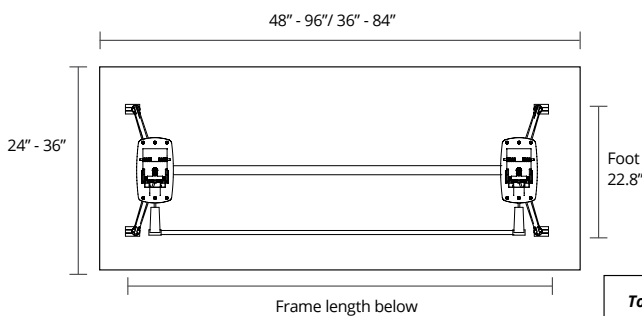
Total Frame Length

- CA-FWTOPRAIL1100 = 41.3"
- CA-FWTOPRAIL1300 = 53.2"
- CA-FWTOPRAIL1600 = 65"
- CA-FWTOPRAIL2200 = 88.6"

32" Wide Fixed Leg



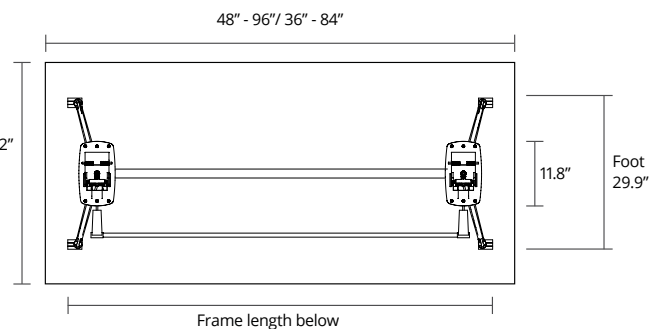
Standard Foot Flip Tables



Total Frame Length

- CA-FWFLRAIL50 = 31.5"
- CA-FWFLRAIL80 = 43.3"
- CA-FWFLRAIL110 = 55.1"
- CA-FWFLRAIL140 = 66.9"

Large Foot Flip Tables



Modulus Pedestal Tables

Standard features

- Black powdercoated posts & rails, polished alloy feet, collars & connectors
- Leveling glides
- White worksurfaces are in stock. Other finish options are available.

Standard frame sizes fit worktops of

- 55" - 72" diameter or
- 48" - 60" square



Modulus 4 Post Meeting Table
(Custom Top)

Side Table

- Frame height 16.7" high
- Standard frame fits worksurface size of**

- 16" - 28" diameter or
- 16" - 24" square



Small Single Post Meeting Table

- Frame height 27.75" high
- Standard frame fits worksurface size of**

- 16" - 28" diameter or
- 16" - 24" square



Single Post Meeting Table

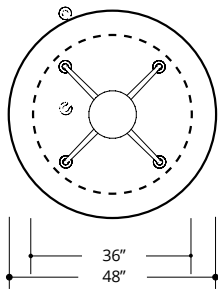
- Frame height 27.75" high
- Standard frame fits worksurface size of**

- 32" - 48" diameter or
- 30" - 42" square



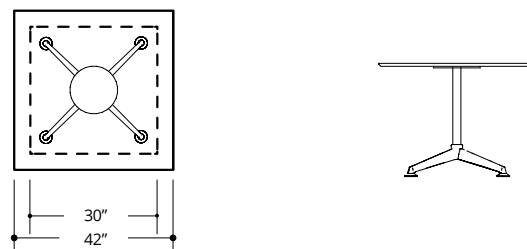
MODULUS PEDESTAL SIZE GUIDE

Round Single Post Pedestal:



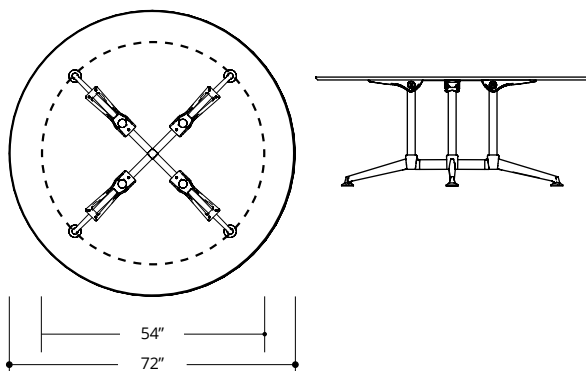
Base suited for work surface sizes of: 36" - 48" Diameter

Square Single Post Pedestal:



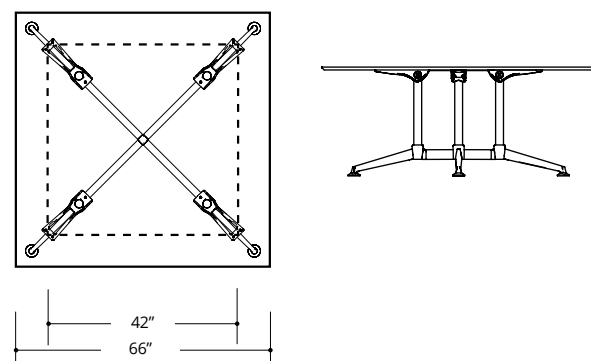
Base suited for work surface sizes of: 30" - 42" Square

Round Four Post Pedestal



Base suited for work surface sizes of: 54" - 72" Diameter
See our pricebook for in-stock worksurface sizes.

Square Four Post Pedestal



Base suited for work surface sizes of: 42" - 66" Square



Uni Flip

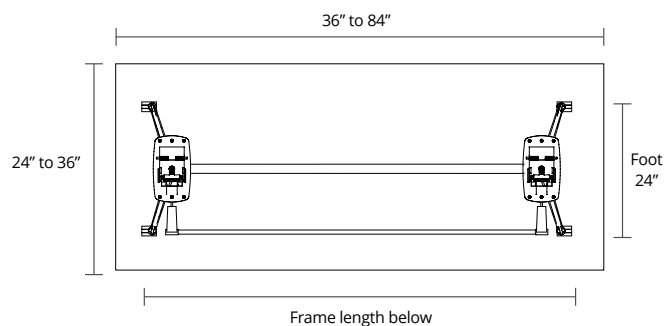
The innovative Uni Flip table supports modern work dynamics as a superb choice for conference, training, meeting and catering facilities as well as quickly meeting the demand for extra working space for projects.



Uni Flip Tables



FRAME SIZE



Total Frame Length

CA-FWFLRAIL50 = 32"

CA-FWFLRAIL80 = 43"

CA-FWFLRAIL110 = 55"

CA-FWFLRAIL140 = 67"



Showing Uni Flip Silver 72"x 30"
with mixed colour Adapta Seating.

STANDARD FEATURES

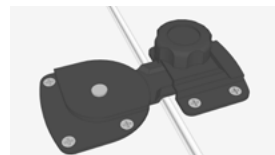
- Silver powdercoat posts, frames, rail & pullbars, black castors
- White worksurfaces are in stock. Other finish options are available.
- Locking Castors

STANDARD FRAME SIZES ACCOMMODATE WORKSURFACE SIZES

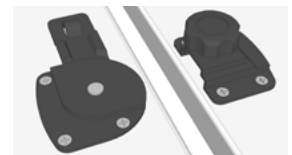
- 48"w x 24"d x 28.75"h
- 48"w x 30"d x 28.75"h
- 60"w x 24"d x 28.75"h
- 60"w x 30"d x 28.75"h
- 72"w x 24"d x 28.75"h
- 72"w x 30"d x 28.75"h
- 72"w x 36"d x 28.75"h



Uni Flip Silver Powdercoat

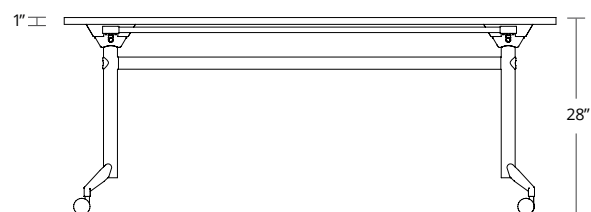
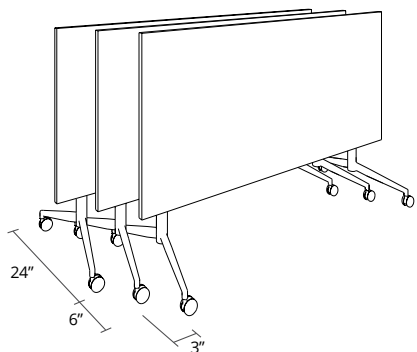


Steel Table Link Locked



Steel Table Link Unlocked

NESTING DIMENSIONS



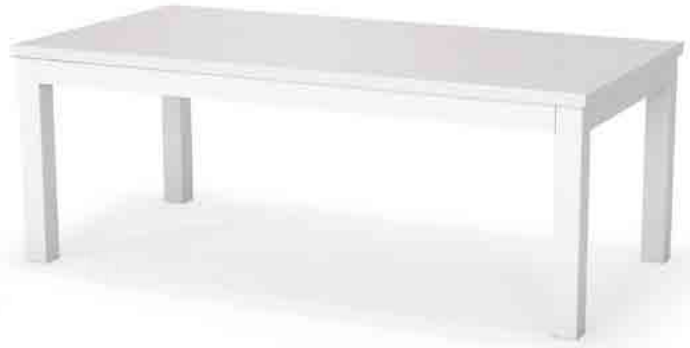




Axis Tables

Break away from the boardroom to promote and encourage collaboration and creativity with breakout spaces. A bar leamer will add style and comfort to any breakout space.

Axis Tables



STANDARD FEATURES

- White or silver powdercoat finish to all frames
- 2" x 2" legs; 2" x 1" rails
- Levelling glides - Height Adjustable 27" - 30" (worksurface height 28" - 32")
- Worksurfaces finished in White melamine on E1 grade substrate; matching SPVC edge

Coffee Table Sizes

- 48" x 24" x 18" high. Rails to all four sides.
- 24" x 24" x 18" high. Rails to all four sides.

Meeting Table Sizes

- 35" diameter x 28.75" high
- 39.5" diameter x 28.75" high
- 35" w x 35" d x 28.75" high

Conference Table Sizes

- 39" x 39" x 28.75" high
- 42" diameter x 28.75" high
- 72" x 48" x 28.75" high. Rails to all four sides
- 95" x 48" x 28.75" high. Rails to all four sides
- 95" x 48" x 28.75" high. Rails to all four sides (with inset legs - 71" x 29" frame)



Coffee Tables



Meeting Tables



Conference Tables

Axis Bar Leaner



Axis Barleaner in black powdercoat with charcoal Game Barstools fully upholstered in Breathe tomato red



Axis Barleaner in white powdercoat with charcoal Game Barstools fully upholstered in Breathe lime green

STANDARD FEATURES

- Black or white powdercoat finish to frames
- Worksurfaces finished in White melamine on E1 grade substrate; matching SPVC edge

Single Span Sizes

- 72" x 24" x 42" high
- 72" x 30" x 42" high
- 72" x 36" x 42" high
- 72" x 48" x 42" high
- 95" x 48" x 42" high

Double Span Sizes

- 95" x 24" x 42" high
- 95" x 30" x 42" high
- 120" x 24" x 42" high
- 120" x 30" x 42" high
- 142" x 24" x 42" high
- 142" x 30" x 42" high
- 142" x 48" x 42" high



Single Span



Double Span



Seating

Take a seat... from desk to conference, we have wide range of high quality seating solutions for all your needs.



Balance Executive



FEATURES

- Solid, cast aluminium synchro mechanism with multi-fulcrum support
- Simple, precise weight specific tilt action
- Push/pull sliding seat depth adjustment with five positions
- Advance tilting limiter with two step memory
- Polished alloy base and mechanism
- Mesh backrest
- Available in black Faux leather/black mesh and white Faux leather/white mesh
- Suitable for task, executive, conference and boardroom seating

OPTIONAL UPGRADES

- Optional lumbar and/or headrest
- Multi adjustable arms - pair
- Drafting gas lift with chrome foot ring
- Seat cover in Breathe fabric

Fabric Colours



10 YEAR
GUARANTEE

300 lb
RATING

ISO14001



Balance Executive

Seat height: 17.5-21.5"
Seat width: 18.9"
Seat depth: 18.9"
Overall height: 39-42.9"

Balance Task



FEATURES

- High quality black mesh backrest - ergonomically supports your back
- Simple levers for height, tension and tilt control to personalise your comfort
- High resistance molded seat foam with tidy under seat finish - upholstered in Breathe black fabric
- Stylish black nylon star base
- Heavy duty 60mm unhooded castors
- Suitable for task, conference and boardroom seating

OPTIONAL UPGRADES

- Height adjustable arms - pair
- Drafting gas lift with chrome foot ring

10 YEAR
GUARANTEE

300 lb
RATING

ISO14001

Balance Task

Seat height: 17-20"
Seat width: 20.3"
Seat depth: 20.3"
Overall height: 32.7-35.2"

Balance Training



FEATURES

- Integral arms and high quality supportive black mesh backrest combine to give flexible comfort
- High resistance moulded foam and hard-wearing fabric for high use areas - upholstered in Breathe black fabric
- Super strong reclining mechanism to give relaxation when you want
- Fold up seat allows for nesting to save space when not in use
- Supplied standard with free wheeling castors - ideal for large venues
- Suitable for executive side chair, conference, training and boardroom seating

OPTIONAL UPGRADES

- Table arm kit



10 YEAR
GUARANTEE

300 lb
RATING

ISO14001

Balance Training

Seat height: 17.7"
Seat width: 18"
Seat depth: 17.7"
Overall height: 32"

Balance Visitor



FEATURES

- Black powdercoated cantilever steel frame
- Moulded, high resistance foam, upholstered in hard wearing Breathe black fabric
- Ergonomically contoured high quality black mesh
- Suitable for executive side chair, conference and boardroom seating

10 YEAR
GUARANTEE

300 lb
RATING

ISO14001

Balance Visitor

Seat height: 17"
Seat width: 24"
Seat depth: 22"
Overall height: 34"

Mode



FEATURES

- Synchronised tilting mechanism with weight specific tension control
- Luxurious upholstered cushions in black or white faux leather with matching removable arm covers
- Mirror finish stainless steel frame and removable armrests with hidden fixings
- Fully sprung seat base for outstanding comfort and support
- Complete family - highback, midback and visitor
- Suitable for executive, conference or boardroom seating

10 YEAR
GUARANTEE

300 lb
RATING

ISO14001

Mode High Back

Seat height: 17.7"
Seat width: 18"
Seat depth: 17.7"
Overall height: 32"

Mode Mid Back

Seat height: 17.7"
Seat width: 18"
Seat depth: 17.7"
Overall height: 32"

Mode Gust

Seat height: 17.7"
Seat width: 18"
Seat depth: 17.7"
Overall height: 32"

Metro



FEATURES

- Synchronised tilting mechanism with weight specific tension control
- Mirror finish stainless steel frame, base and armrests
- Fully sprung seat base for outstanding comfort and support
- Refined upholstery with detailed stitching in black or white faux leather
- Complete family - highback, midback and visitor
- Suitable for executive, conference or boardroom seating

10 YEAR
GUARANTEE

300 lb
RATING

ISO14001

Metro High Back

Seat height: 17.7"
Seat width: 18"
Seat depth: 17.7"
Overall height: 32"

Metro Mid Back

Seat height: 17.7"
Seat width: 18"
Seat depth: 17.7"
Overall height: 32"

Metro Gust

Seat height: 17.7"
Seat width: 18"
Seat depth: 17.7"
Overall height: 32"

Please note this chair isn't currently available for sale in the USA.

Adapta



FEATURES

- Integral arms and perforated backrest combine to give flexible supportive and 'no sweat' comfort
- High resistance moulded foam and hard-wearing Breathe black fabric for high use areas
- Super strong reclining mechanism to give relaxation when you want
- Chrome frame with black or white backrest
- Lightweight and easy to move
- Fold up seat allows for nesting to save space when not in use
- Supplied standard with free wheeling castors - ideal for large venues
- Suitable for training, conference, classroom, healthcare, retail and cafeteria seating

OPTIONAL UPGRADES

- Armless change kit
- Tablet arm kit



10 YEAR
GUARANTEE

300 lb
RATING

ISO14001



Adapta Chair

Seat height: 17.7"
Seat width: 18.1"
Seat depth: 17.7"
Overall height: 32.3"

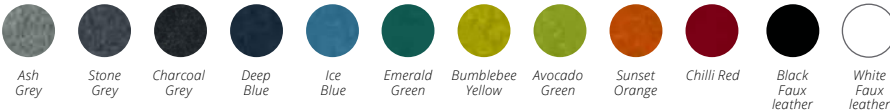
Luna



FEATURES

- One-piece flexible polypropylene shell available in black or white
- Comfortable seat cushion upholstered in Motion Felt or black / white Faux leather
- Steel legs (black or white powdercoat finish) with castors or a 4 leg oak frame
- Available in chair or barstool style
- Suitable for meeting, visitor, breakout or cafeteria areas

Fabric Colours



10 YEAR
GUARANTEE

220 lb
RATING

ISO14001

Luna Mobile Chair

Seat height: 17.3"
Seat width: 18.5"
Seat depth: 17.3"
Overall height: 31.5"

Luna Oak Chair

Seat height: 16.5"
Seat width: 18.5"
Seat depth: 17.3"
Overall height: 31.1"

Luna Oak Barstool

Seat height: 29.1"
Seat width: 16.1"
Seat depth: 13.8"
Overall height: 39.4"

Game



FEATURES

- Strong rigid, frame with chrome finish
- The game chair is very light to carry
- Available as 4 leg in chair or barstool height
- Large contoured seat and back
- Shell colours comes in charcoal
- Space saving - stacks up to 9 chairs high
- Optional upholstered seat and back colours:
Breathe - Black, Red, Green, Orange, Blue, Grey and Plum
- Seat tag conveniently hidden on backrest - slides open/closed to reveal potential seating numbers
- Suitable for training, conference, classroom, healthcare, retail and cafeteria seating

Fabric Colours



Black

Red

Green

Orange

Blue

Grey

Plum

10 YEAR
GUARANTEE

300 lb
RATING

ISO14001

Game Chair

Seat height: 18.1"
Seat width: 17.7"
Seat depth: 17.7"
Overall height: 31.9"

Game Barstool

Seat height: 29.5"
Seat width: 17.7"
Seat depth: 17.7"
Overall height: 42.5"

Link



FEATURES

- Large, comfortable moulded polypropylene seat & back available in black or white
- Strong rigid, frame that is very light to carry
- Frame finished in silver powdercoat
- Space saving - stacks up to 12 chairs high
- Trolley - stacks up to 25 chairs high
- Unique integrated glide/link system provides a quick & simple method to "gang" chairs)
- Shipped fully assembled

10 YEAR
GUARANTEE

300 lb
RATING

ISO14001

Link Chair

Seat height: 16.9"
Seat width: 16.7"
Seat depth: 17.7"
Overall height: 29.5"

Politan



FEATURES

- Generous seat size and slim arms - ideal for reception areas
- Chromed stainless steel frame and accent panels
- Levelling glides
- Contemporary slab style back and armrests
- Available in 1 and 2 seater - upholstered in black Faux leather
- Suitable for reception areas, waiting rooms, auditoriums and cafeteria seating

10 YEAR
GUARANTEE

300 lb
RATING

ISO14001

Politan 1 Seater

Seat height: 17.5"
Seat width: 22"
Seat depth: 20.5"
Overall height: 33.1"

Politan 2 Seater

Seat height: 17.5"
Seat width: 44"
Seat depth: 20.5"
Overall height: 33.1"

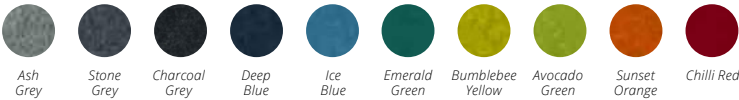


motionoffice®

FEATURES

- Thick foam pad upholstered in Motion Felt
- Add colour and function to your collaboration spaces
- Otto is the perfect seat for those drop-in visitors and in the creative zones in your workspace
- Castor base makes it easy to manoeuvre around
- Suitable for breakout zones and casual meeting areas

Fabric Colours



10 YEAR GUARANTEE

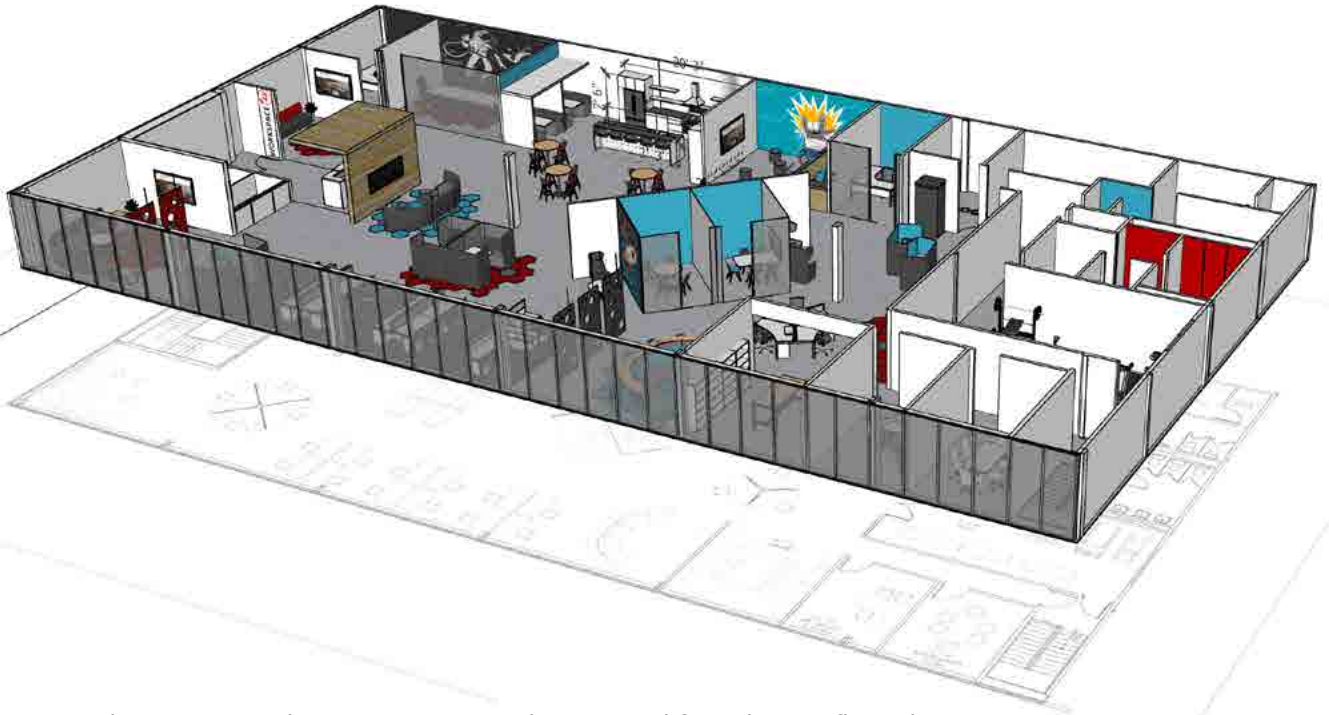
300 lb RATING

ISO14001

Otto Stool

Seat height: 17.3"
Seat diameter: 17.7" (top)
20.9" (bottom)

3D Rendering Services



The team at Workspace48 can bring your proposals come to life with a 3D floorplan.

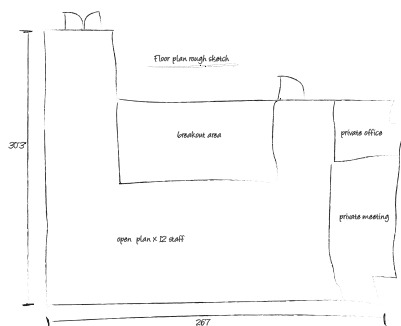
We take pride in creating complex interesting designs for you and your clients to generate excitement about the look and feel of the new office space making it easier to close deals with clients.

And in case you didn't know... **Our 3D rendering services are FREE!**

HOW IT WORKS

YOU PROVIDE:

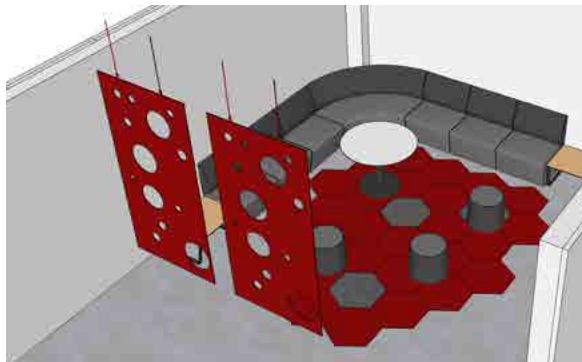
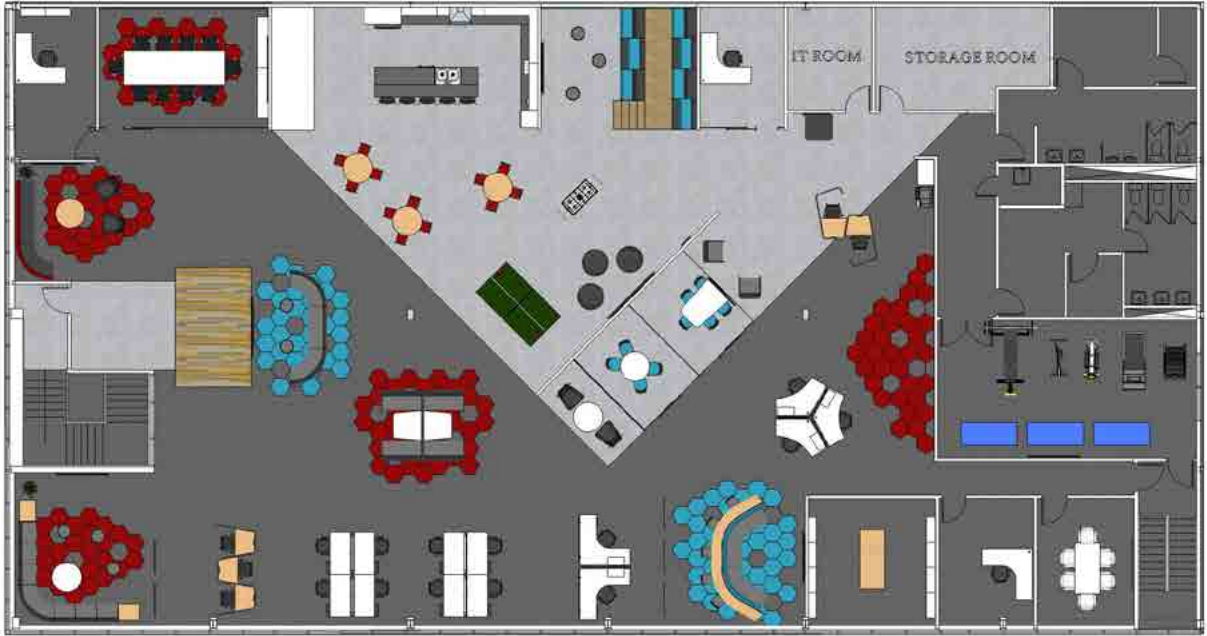
An outline of the job you are pitching for detailing the floor plan with dimensions, the budget and the furniture requirements.



WE DELIVER:

A high-quality 3D floorplan with detailed images of the project space.





NEED SOME EXPERT HELP WITH YOUR PROJECT?

The Workspace48 Team has some of the best and brightest minds in the office furniture industry Galaxy! We can assist you in making recommendations on the best furniture for your client's budget and requirements.



Client Projects

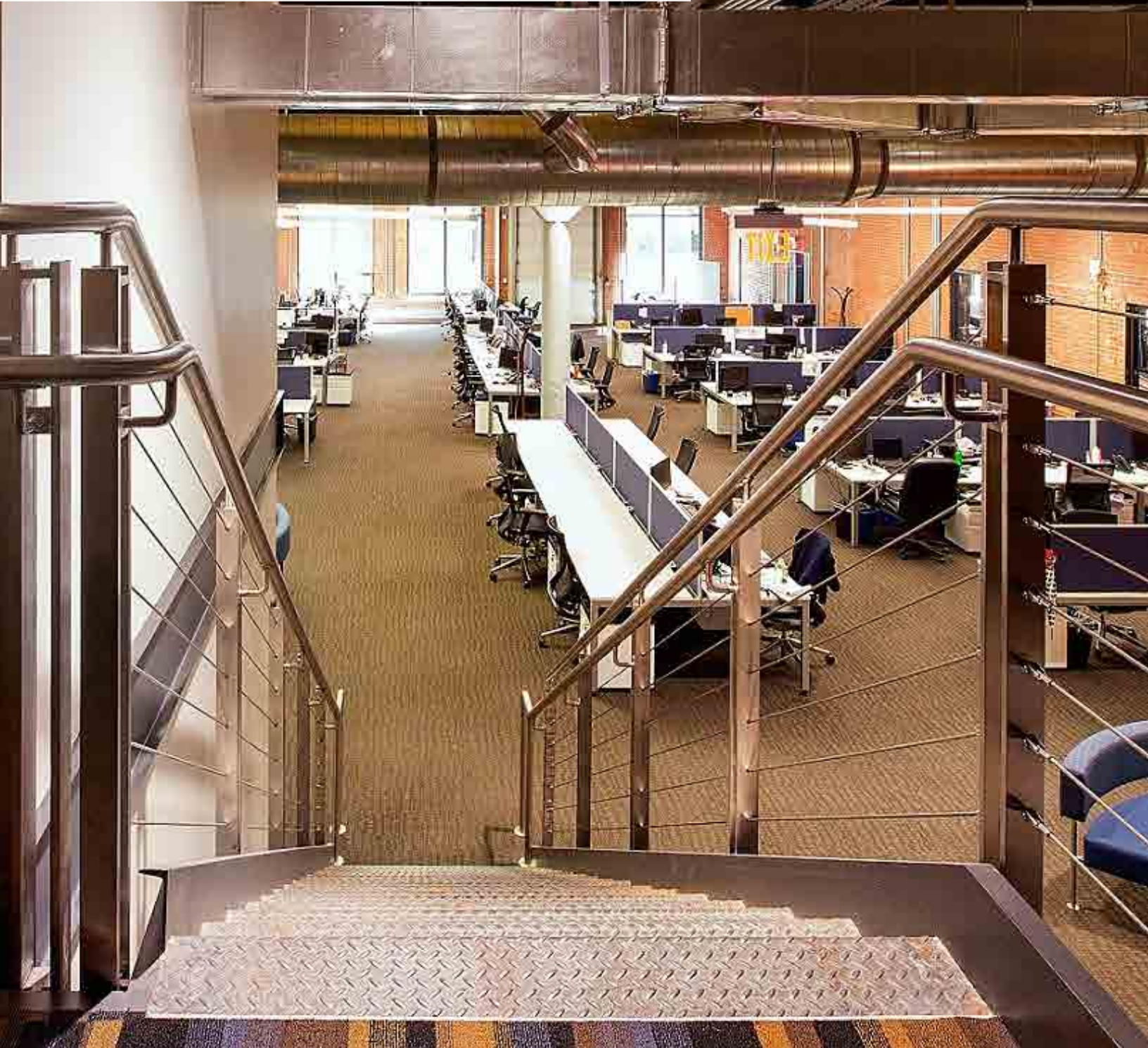
There are a lot of serious things in life but office furniture shouldn't necessarily be one of them. We enjoy what we do and we love working with our dealer reps. Nothing makes us happier than when they send us a picture of a completed installation. Have a look out some of our favourite projects over the following pages!



Mimecast

250 STAFF FITOUT

- Axis desking and workstations
- Freeway seating
- Modulus tables





Maru

130 STAFF FITOUT

- Axis desking wigth e-Panel dividers
- Height adjustable desking
- Reception
- Melamine storage





Ranger

100 STAFF FITOUT

- Agile Electric adjust desking
- Axis workstations
- Melamine storage
- Freeway seating
- Modulus tables
- MotionOffice



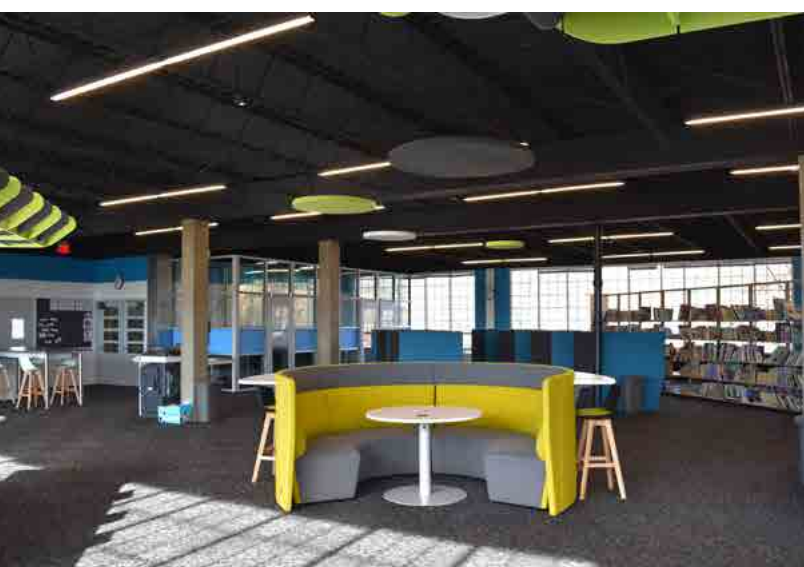
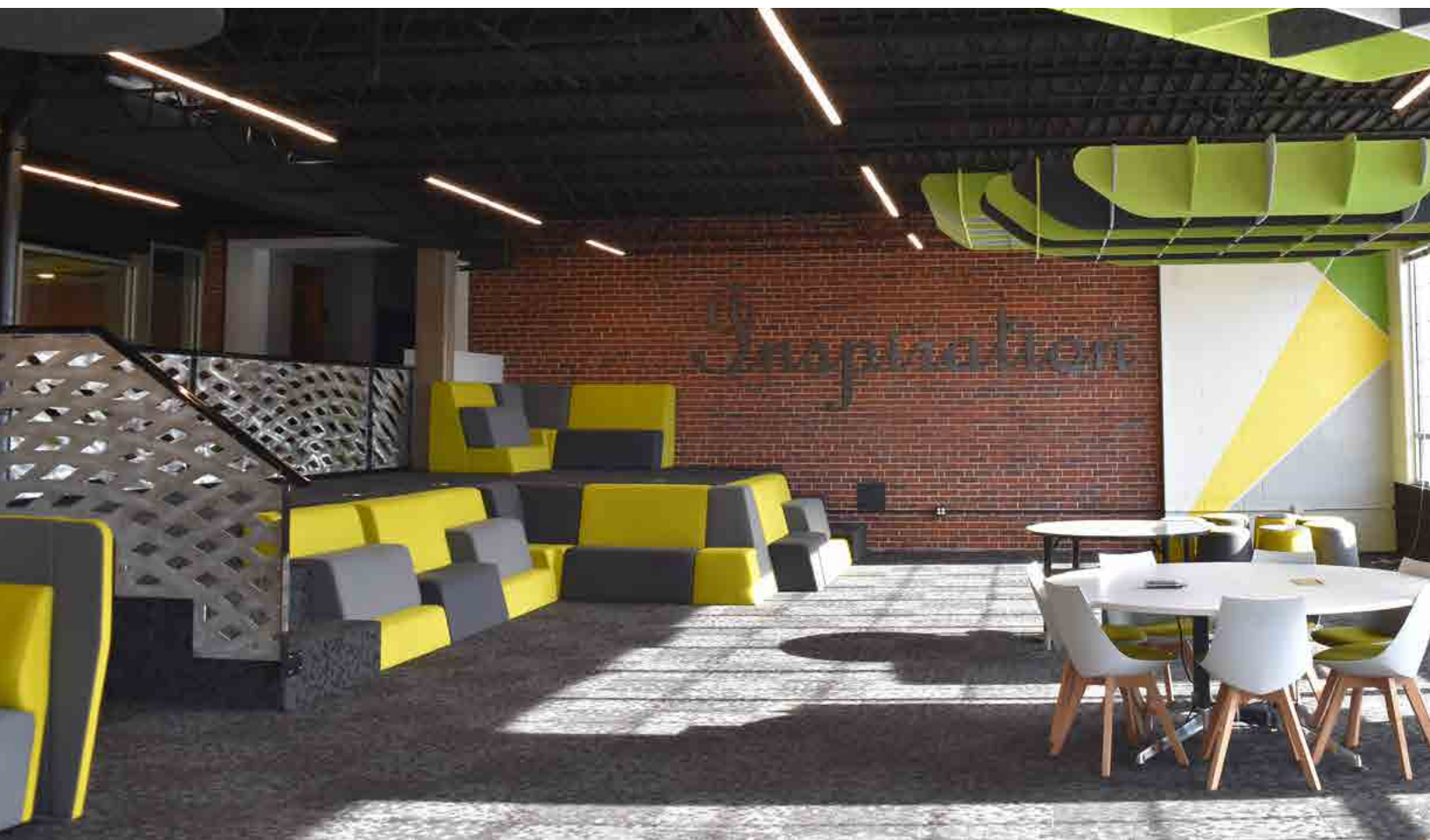
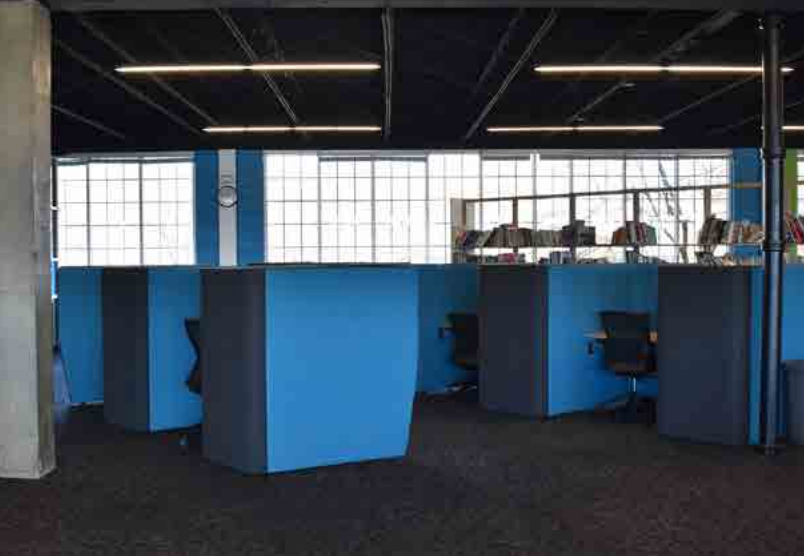


Sterling Education

FLEXIBLE LEARNING SPACE

- MotionOffice
- Modulus meeting tablels
- Axis desking
- Freeway seating
- Acoustics panelling





Fire and Flower

100 STAFF FITOUT

- MotionOffice
- Axis storage
- Agile Height adjustable desking
- Freeway seating
- E-panel screens



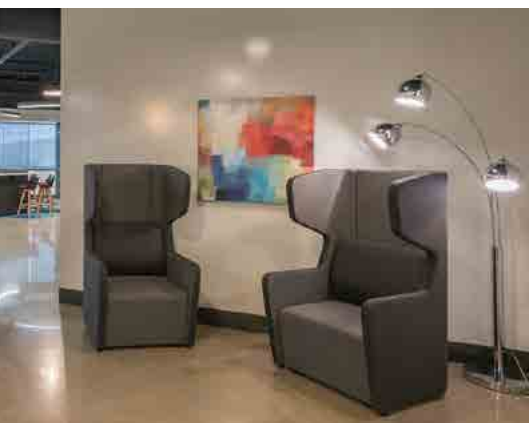


Our place

WORKSPACE48 SHOWROOM & OFFICE

- MotionOffice
- Axis desking
- Height adjustable desking
- Freeway seating
- Acoustics panelling
- Planter walls





A red graphic consisting of the number '360' with a degree symbol, flanked by two curved arrows pointing in opposite directions to indicate a full rotation.

360°

Enter Our Virtual Showroom

*Get the Workspace48 Virtual Showroom experience.
Contact your account manager to discuss further.*

workspace48.com/vr/showroom





Our Vision

**REVOLUTIONIZING THE WAY OFFICE
FURNITURE IS BOUGHT AND SOLD.**



E info@workspace48.com | P 416 441 9898